

# ODRJ600S Series

## CAT6 & CAT6A Shielded Toolless Connector

### Description

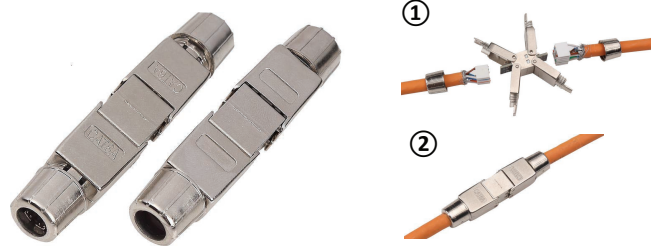
- CAT.6A shielded toolless connector
- Color: Silver
- RoHS, Reach complaint

### Cable Matched

- Solid and standard
- 22AWG/23AWG/24AWG

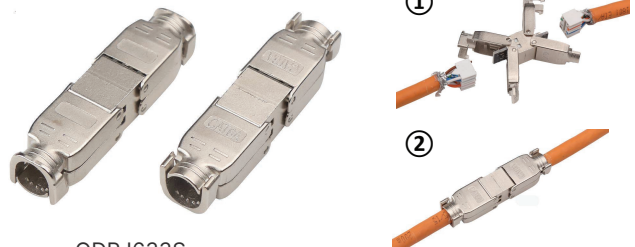
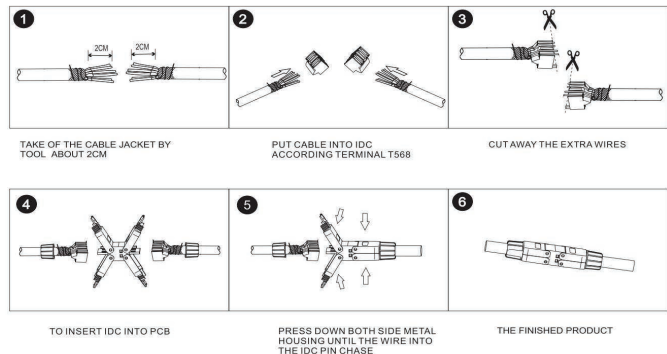
### Environment

- Storage: -40°/ +70°
- Operation: -10°/ +60°



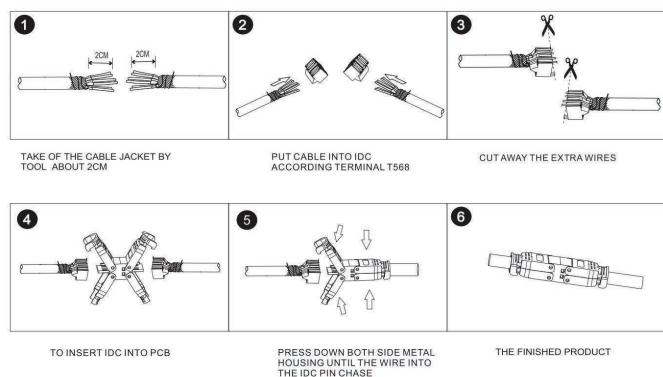
ODRJ603S

#### CAT6A SHIELDED TOOLLESS CONNECTOR INSTRUCTION MANUAL



ODRJ633S

#### CAT6A SHIELDED TOOLLESS CONNECTOR INSTRUCTION MANUAL



### Electrical

Contact Resistance	20m Ohm
Insulation Resistance	≤500m Ohm @100V DC
Withstand Voltage	DC1000C AC700C RMS 60Hz, 1min
CAT6A Permanent Link	Confrom to ANSI/TIA/EIA 568B. 2-10

### Mechanical

Shielded Material	Zinc Alloy
Plastic Material	New PC
Terminal Pins	Phosphor bronze, Zin plating
RJ45 Contact Life	750 times min
IDC Terminal Life	250 times min

### Available Options

ODRJ603S	CAT6 Shielded Toollest Connector Type A
ODRJ633S	CAT6 Shielded Toollest Connector Type B
ODRJ603AS	CAT6A Shielded Toollest Connector Type A
ODRJ633AS	CAT6A Shielded Toollest Connector Type B